

## GE Energy Smart™ PAR30

LED12/P30S/827/90-240V/35/E27 BX  
1/6

13514

### Product information

GE's new LED PAR range combines a high intensity spotlight beam with substantial energy savings. The PAR30 design delivers more than a dazzling 7,000 candelas and 85W equivalent Lumen output from only 12W of power, saving nearly 90% in energy consumption. Additionally, the 40,000 hours L70 life time offers significant reduction to maintenance costs by sharply reducing replacement frequency.

### Application areas



Retail



Hospitality



## Product data

Product Code	13514
Bulb Shape	PAR
Bulb Finish	Coated
Bulb Diameter [mm]	95.25029
Bulb maximum overall diameter [mm]	97
Maximum Overall Length [mm]	95
Net weight per piece [g]	250
Gross weight per piece [g]	407
Brand	GE Lighting
Cap/Base	E27

## Performance data

Nominal/ Rated Beam Angle [°]	35
Nominal/ Rated Beam Angle (°)	35
Nominal center beam candlepower (CBCP) [cd]	2500
Rated Lumens [lm]	850
Weighted energy consumption [kWh/1000h]	12
Useful lumens (at 90° cone) [lm]	850
Energy efficiency class (EEC)	A+
Rated life L70/B50 [h]	40000
Nominal correlated colour temperature (CCT) [K]	2700
Nominal lumens [lm]	900
Colour Rendering Index (CRI) [Ra]	84

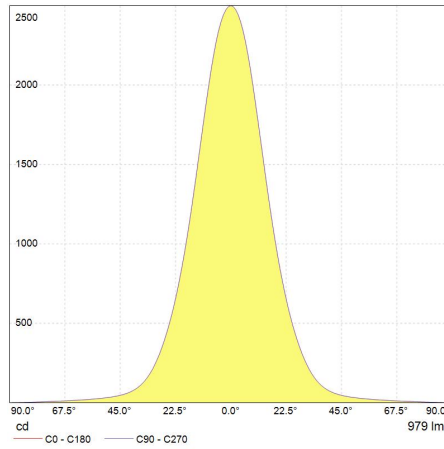
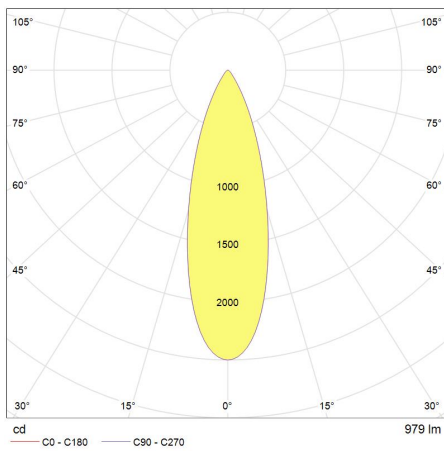
## Electrical data

Nominal lamp power factor...	0.9
Rated power [W]	12.0
Lamp Current [A]	0.15
Operating Temperature (MAX) [°C]	40
Run-up time (sec)	<1s
Starting time (sec)	<0.5s
Number of switching cycles	40000
Dimming Capability	No
Nominal power [W]	12
Nominal lamp voltage [V]	230

## Logistic data

DUN Code	10043168135143
EAN Code	0043168135146
Pack Quantity	6
Inner pack type	BOX
Layer quantity	66 EUR, 78 UK
Layer quantity EUR	66
Layer quantity UK	78
Pallet quantity EUR (PC)	462
Pallet quantity UK (PC)	546
Outer case size	334 x 223 x 143 (mm)
Product status	Phased-out

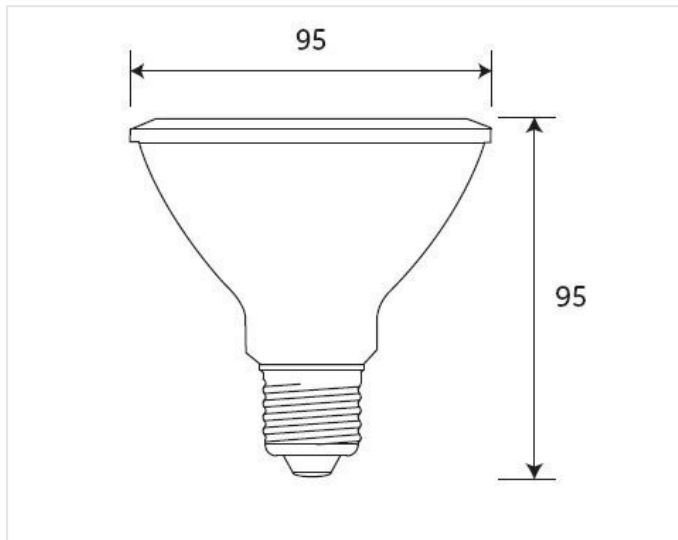
**Photometric Data**



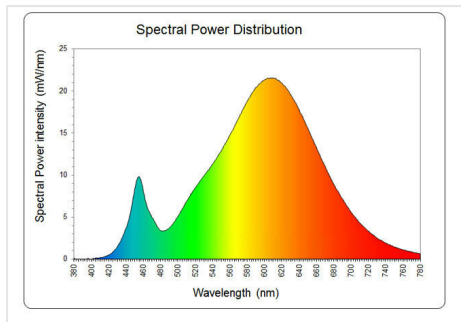
Distance [m]	Cone diameter [m]	E(0°) E(C0)	15.7°	Illuminance [lx]
0.5	0.28	10000	4474	
1.0	0.56	2500	1119	
1.5	0.84	1111	497	
2.0	1.12	625	280	
2.5	1.41	400	179	
3.0	1.69	278	124	

Distance [m] Cone diameter [m]  
 C0 - C180 (Half-value angle: 31.4°)

**Technical drawing**



**Spectral distribution**



## Downloads & Links

[Go to the catalog site \(HTTP\)](#)

[Photometry \(IES\)](#)

[LED PAR20/30/38 Lamps - Data sheet \(PDF\)](#)

[Dimming compatibility \(HTTP\)](#)

[Lighting design tools & calculators \(HTTP\)](#)

[Dimming compatibility \(HTTP\)](#)

[Lighting design tools & calculators \(HTTP\)](#)

[Images \(HTTP\)](#)

[Certificate for the Quality Management System of GE Lighting EMEA \(PDF\)](#)

[Certificate for the Environmental Management System of GE Lighting EMEA \(PDF\)](#)

