

# LED MR16 Non-dimmable

4W & 6.5W replacements for 20W & 35W Halogen

## Product information

This range provides fantastic energy saving versus halogen offering multiple beam angles and two colour temperatures to suit most professional lighting needs.

## Features

- 4W - 20W replacement
- 25,000 hours life
- Total Lumens 180-240
- 2700K & 3000K
- 15, 25 & 36 degree beam angles

- 6.5W ~ 35W replacement
- Total Lumens 320-380
- 25,000 hours life
- 3000K, 4000K & 6500K
- 24 & 35 degree beam angles

## Application areas

LED MR16 lamps have massive energy savings versus traditional lamps. Coupled with long life, they are superb replacements where standard incandescent or halogen lamps are in use such as: accent, display and general lighting applications in a commercial, industrial or residential environments.



## IEC Standards

EN 60968:1990 + A1:1993 + A2:1999 - Specification for self-ballasted lamps for general lighting services. Safety requirements

EN 62471:2008 - Photobiological safety of lamps and lamp systems

IEC/ TR 62471-2: 2009 - Photobiological safety of lamps and lamp systems - Part 2: Guidance on manufacturing requirements relating to non-laser optical radiation safety

IEC/EN 62031:2008 - LED modules for general lighting. Safety specifications

EN 55015:2006+A1:2007+A2:2009 - Limits and methods of measurement of radio disturbance characteristics of electrical lighting and similar equipment

EN 61547:1995+A1:2000 - Specification for equipment for general lighting purposes. EMC immunity requirements



## Basic data

GE LED MR16 4W & 6.5W have the following common features

- Power factor 0.55 (4W) & 0.6 (6.5W)
- Complete range with CRI >80
- Efficiency from 45lm/W to 50lm/W
- Operating temperature  $\geq -20^{\circ}\text{C}$  to  $\leq 40^{\circ}\text{C}$

## Specification summary

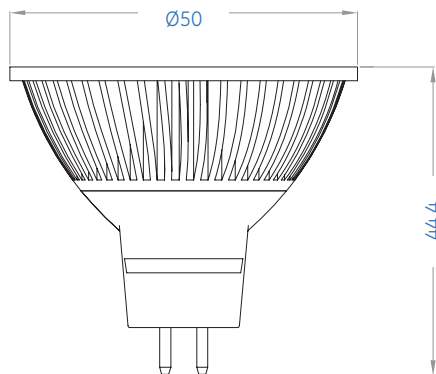
Rated power [W]	Volt [V]	Cap	Product description	Candela	Total lumens [lm]	Rated lumen in 90° cone [lm]	Rated beam angle	CCT [K]	CRI [Ra]	Rated life [h]	Minimum Switch Cycles	Pack Qty	Energy consumption [kWh/1000h]	EEC	Product Code
4	12	GU5.3	LED 4/MR16/827/12V/GU5.3/FL	760	190	-	25	2700	80	25,000	12500	1/8	-	-	63633
4	12	GU5.3	LED 4/MR16/827/12V/GU5.3/SP	1550	190	-	15	2700	80	25,000	12500	1/8	-	-	63634
4	12	GU5.3	LED 4/MR16/827/12V/GU5.3/WFL	400	180	-	36	2700	80	25,000	12500	1/8	-	-	63635
4	12	GU5.3	LED 4/MR16/830/12V/GU5.3/SP	1600	200	-	15	3000	80	25,000	12500	1/8	-	-	63636
4	12	GU5.3	LED 4/MR16/830/12V/GU5.3/FL	780	200	-	25	3000	80	25,000	12500	1/8	-	-	63637
4	12	GU5.3	LED 4/MR16/830/12V/GU5.3/WFL	420	240	-	36	3000	80	25,000	12500	1/8	-	-	63638
6.5	12	GU5.3	LED 6.5/MR16/830/12V/GU5.3/FL	1600	320	280	24	3000	80	25,000	12500	1/8	6.89	A	98188
6.5	12	GU5.3	LED 6.5/MR16/830/12V/GU5.3/WFL	750	320	280	35	3000	80	25,000	12500	1/8	6.89	A	98787
6.5	12	GU5.3	LED 6.5/MR16/840/12V/GU5.3/WFL	750	320	280	35	4000	80	25,000	12500	1/8	6.89	A	98788
6.5	12	GU5.3	LED 6.5/MR16/765/12V/GU5.3/WFL	900	380	-	35	6500	70	25,000	12500	1/8	-	-	99597

## Lumen maintenance at rated life

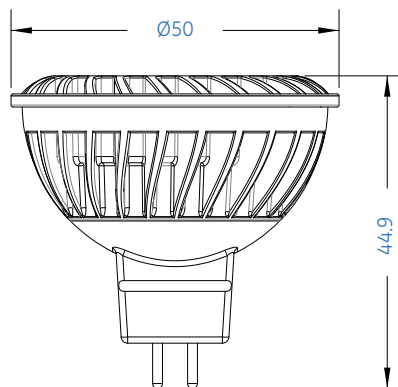
> 70% Lumen output at 25,000 hours life

## Dimensions

4W MR16



6.5W MR16



## Operation and maintenance

- Store and use the lamps the same way as traditional halogen lamps.
- Check your fixtures are properly wired and don't deliver voltage spike to lamps causing overheating/failure.
- Lamps should be kept free from contamination.
- Good condition of the lamp-holder contacts is important to ensure proper operation of lamp.
- Ensure lamp is cool before removing.
- Switch off mains supply before installing/removing lamp.
- Please visit our website for list of compatible transformers.
- Not for use in totally enclosed recessed fixtures.
- Non-dimmable, but safe on dimming circuits.